

Uses capacitive touch technology. Device is activated with finger touch to the sensor.

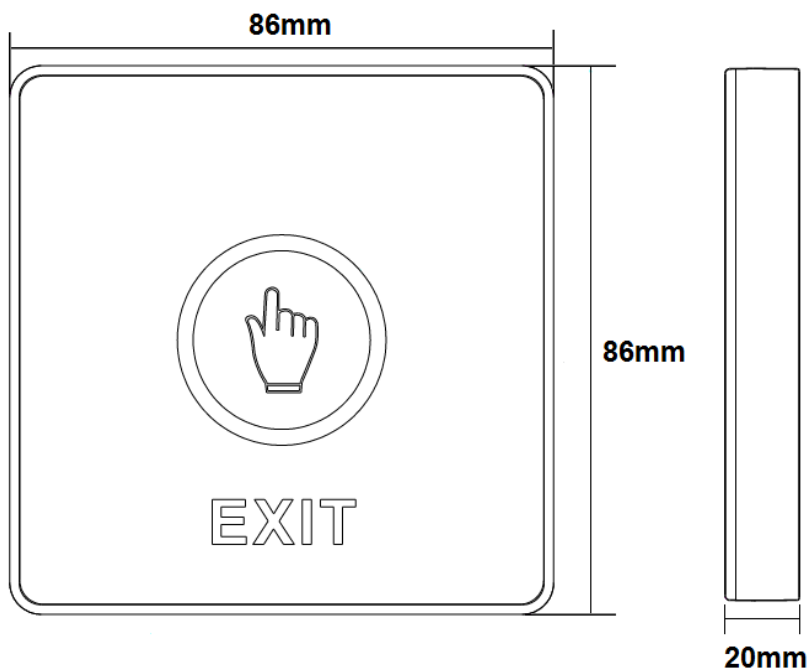


**EL-EC2**

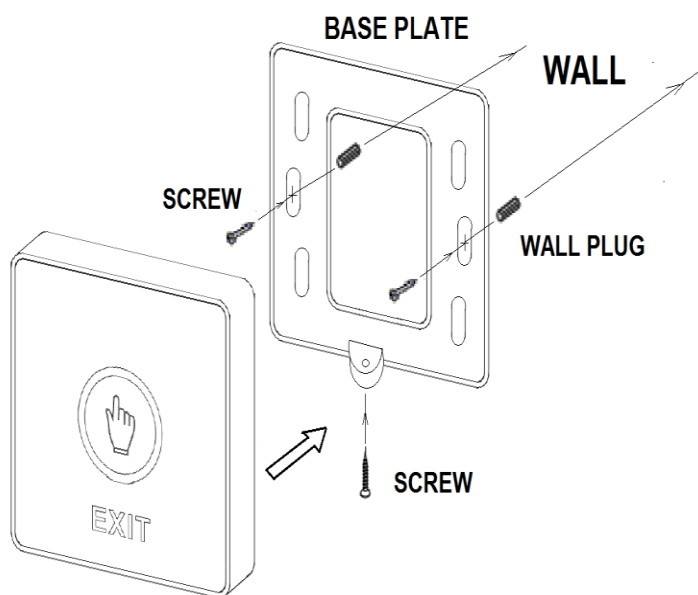
## Specification :

- Dimension : 86mm(L) x 86mm(W) x 20mm(H)
- Input : 12VDC
- Contact Rating : 12 ~ 28V, 3A
- Output Contact : NO, NC, COM
- Mechanical Life : 100,000 tested
- Operating Temp : -20°C ~ 55°C ( 14~131F )
- Suitable Humidity : 0 ~ 95% ( Relative Humidity )
- Detection Range : 0.1cm ~ 10cm
- Weight: 0.15kg
- Blue LED indicator : Power ON (standby)
- Green LED indicator : Power ON (sensation)
- IP Rating : IP 40

## Technical Information :



## Installation Guideline :



1. Confirm the exit button position on wall
2. Drill a 5mm hole on wall and put the wall plug in
3. Place the exit button base plate on wall
4. Tighten the screw to wall plug
5. Install the exit button to base plate
6. Tighten the bottom screw at base plate